

Reg. No.

--	--	--	--	--	--	--	--	--	--

SIDDHARTH INSTITUTE OF ENGINEERING & TECHNOLOGY: PUTTUR
(AUTONOMOUS)
B. Tech II Year I Semester Supplementary Examinations August-2021
MACHINE DRAWING
 (Mechanical Engineering)

Time: 4 hours

Max. Marks:60

Section – I
 (Answer any two questions, 2 x 4 = 8)

- 1 Show the conventional representation of the following materials.
 i) Internal Screw Threads ii) Bearing on shafts
- 2 Draw a neat Sketch of a metric thread form?
- 3 Give the proportions of a hexagonal nut, in terms of the bolt with a 20 mm nominal diameter?

Section – II
 (Answer any two questions, 2 x 8 = 16)

4. Sketch a lap joint of double riveted type.
- 5 Sketch any four forms of commonly used rivet heads, choosing the rivet diameter as 10 mm.
- 6 Sketch a socket and pigot cotter joint.

Section – III
 (Compulsory Questions, 1 x 36 = 36)

- 7 Assemble all parts of the screw jack, shown in Figure 1 & draw the following views:
 i)Half sectional view from the front and ii) View from above.

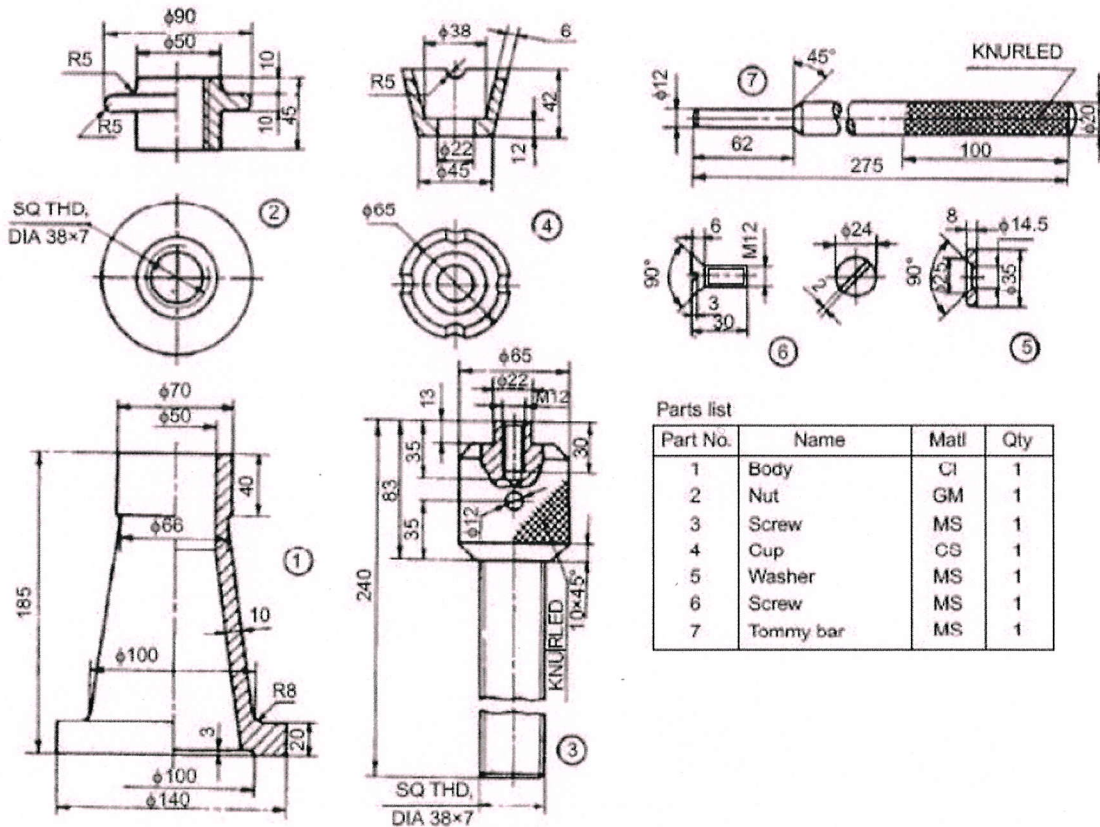


Figure 1: Screw Jack